

A large, dark grey circular graphic is centered on the page. It contains the text "Presentation SPIE Nederland Movable barrier systems 2018" in white. The background of the slide is a composite image showing a white car with the SPIE logo on a dirt road in a green field, a city skyline, and wind turbines under a blue sky with clouds.

Presentation  
**SPIE Nederland**

**Movable barrier  
systems**

2018

# WELCOME TO



Bulgarian government



## MOVABLE BARRIERS

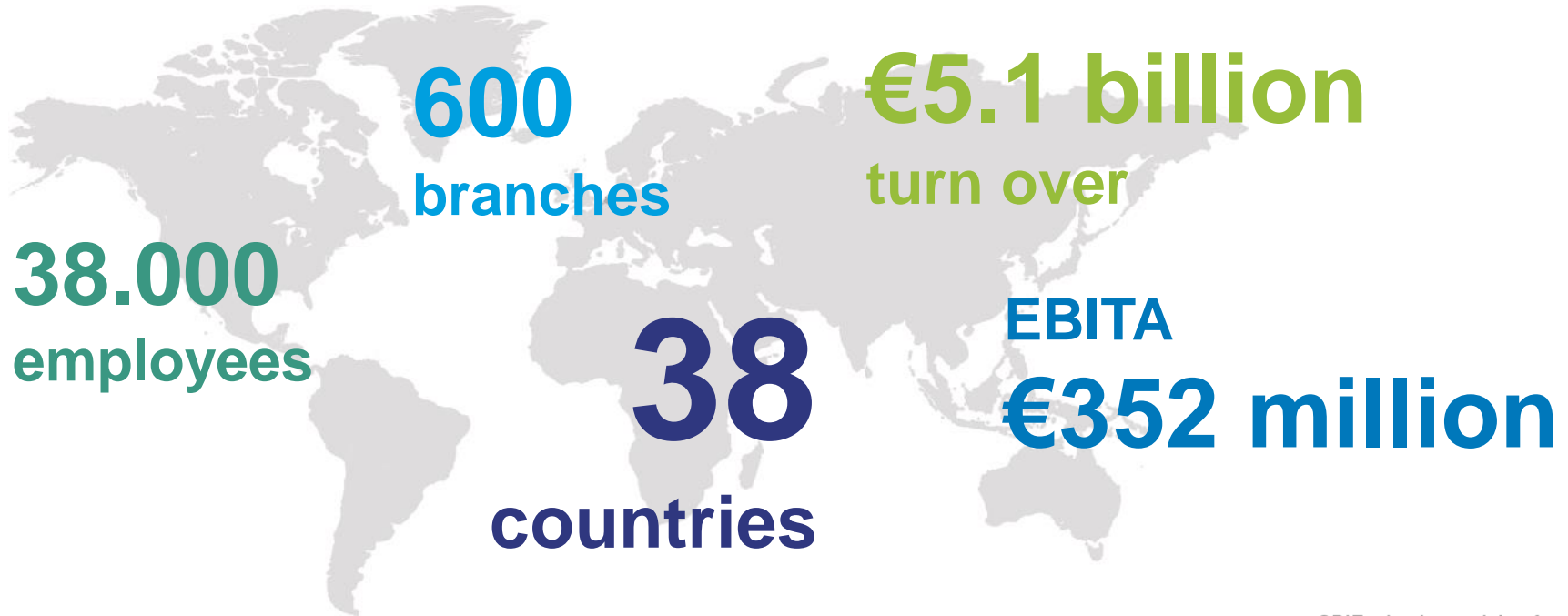
Herwin Weelink  
Manager ITS





## THE SPIE GROUP

SPIE Nederland is part of the SPIE Group, the independent European leader in multi technical services in the areas of energy, communication and infra technology.



# JANSEN VENNEBOER

Based in Wijhe, the Netherlands



Jansen Venneboer

Part of



Since 2016



# JANSEN VENNEBOER

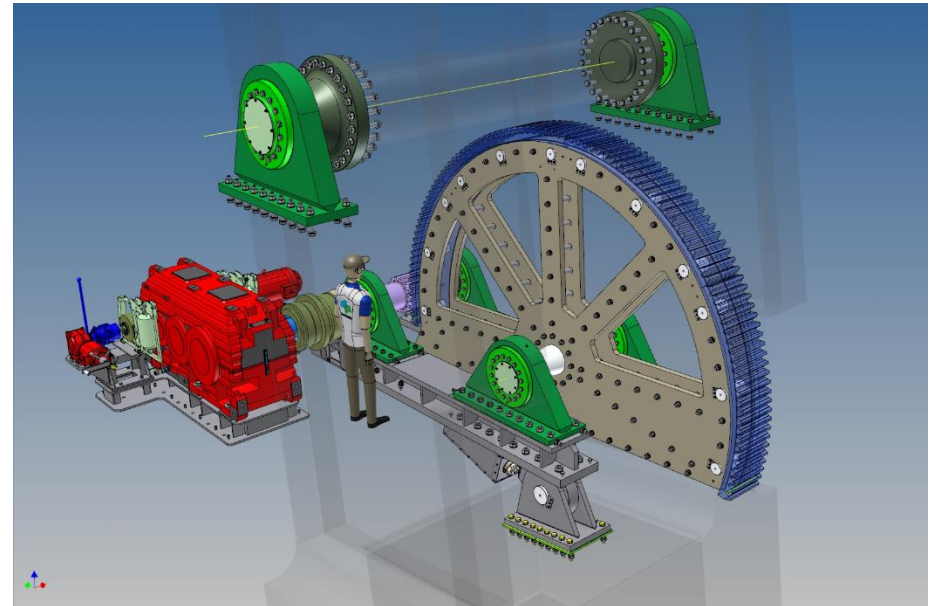
Based in Wijhe, the Netherlands



Jansen Venneboer

## JANSEN VENNEBOER

- Designs



# JANSEN VENNEBOER

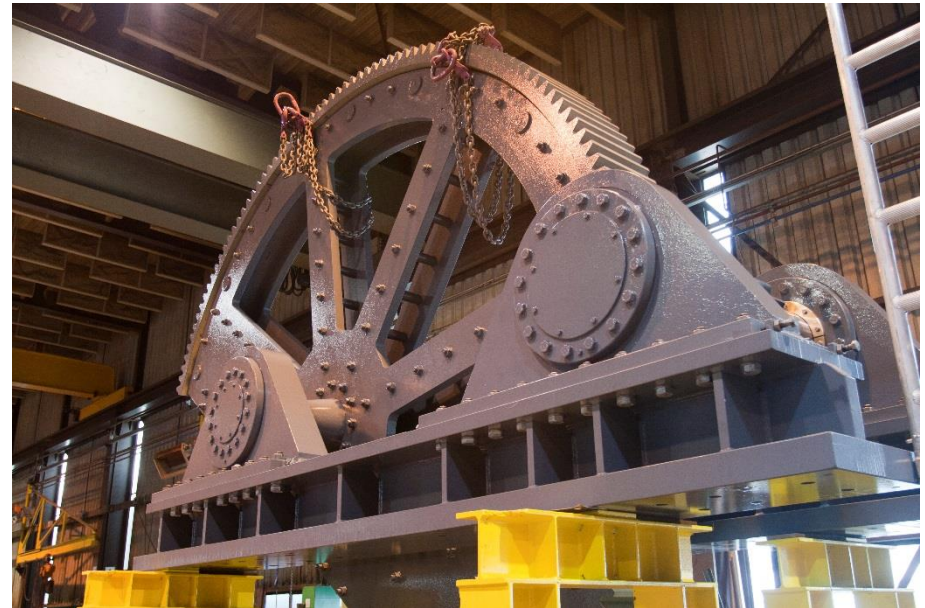
Based in Wijhe, the Netherlands



Jansen Venneboer

## JANSEN VENNEBOER

- Designs
- Manufactures



# JANSEN VENNEBOER

Based in Wijhe, the Netherlands



Jansen Venneboer

## JANSEN VENNEBOER

- Designs
- Manufactures
- Installes





## JANSEN VENNEBOER

Based in Wijhe, the Netherlands



Jansen Venneboer

## JANSEN VENNEBOER

- Designs
- Manufactures
- Installes
- Maintains





# PRODUCTS



**Bridges**



**Water defence**



**Movable barriers**

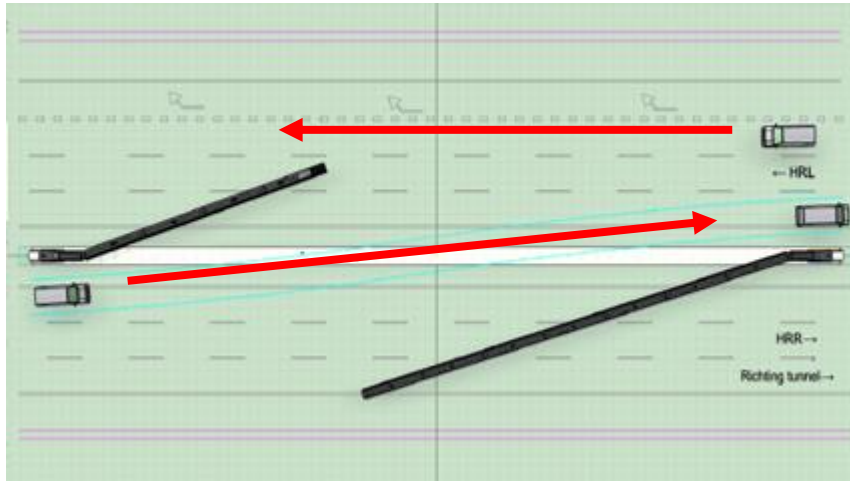
## MOVABLE BARRIER SYSTEMS

Why?

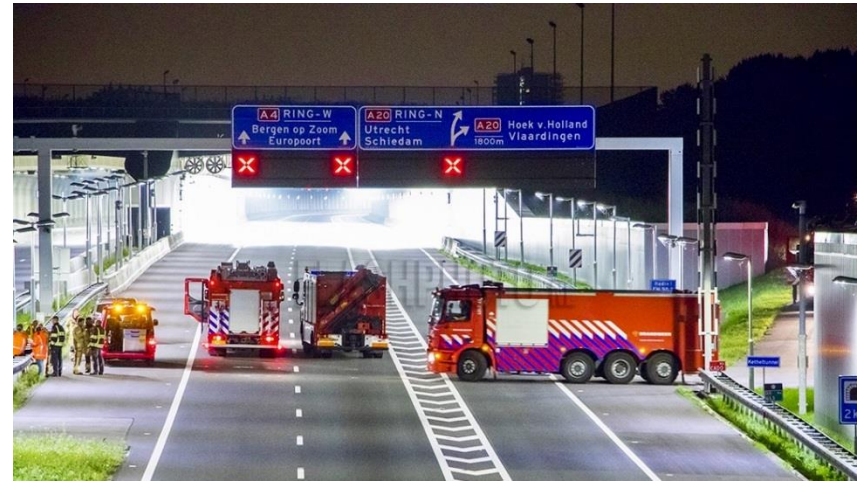


# MOVABLE BARRIER SYSTEMS

Why?



Keep traffic flow



Give access voor emergency services

# MOVABLE BARRIER SYSTEMS

How?

Manual



# MOVABLE BARRIER SYSTEMS

How?

Automated



# MOVABLE BARRIER SYSTEMS

## Automated possibilities

CADO



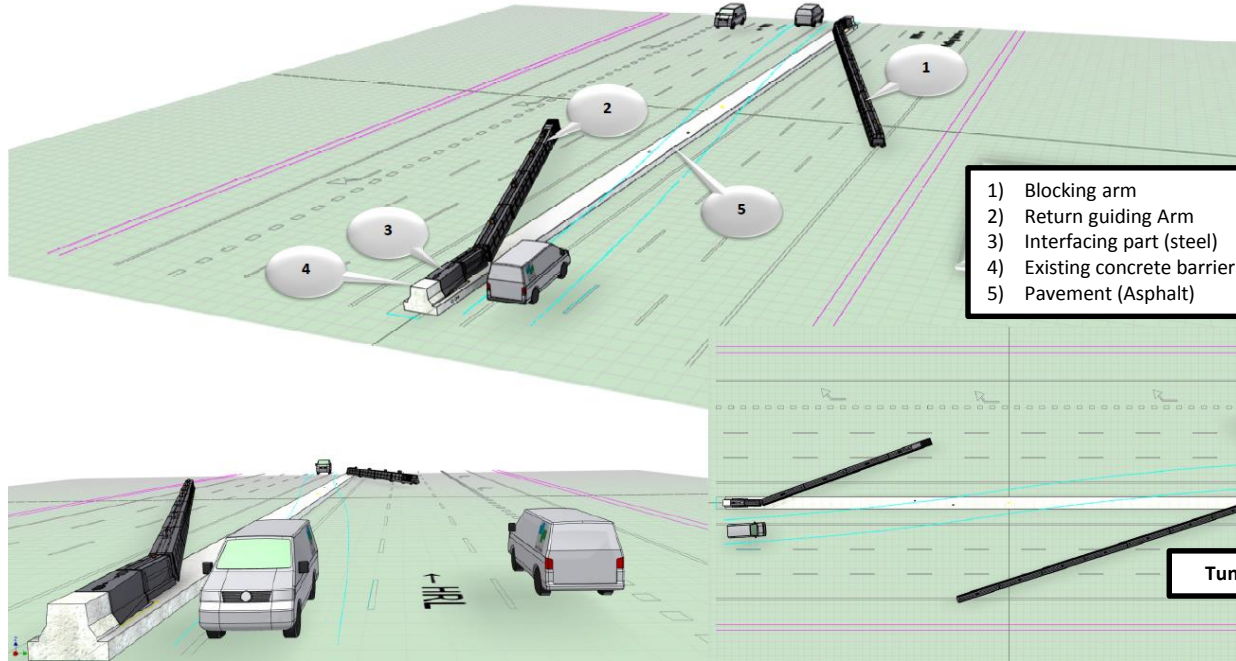
ARMB



VEVA

# MOVABLE BARRIER SYSTEMS

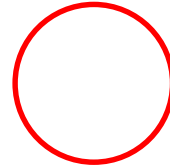
## VEVA





# MOVABLE BARRIER SYSTEMS

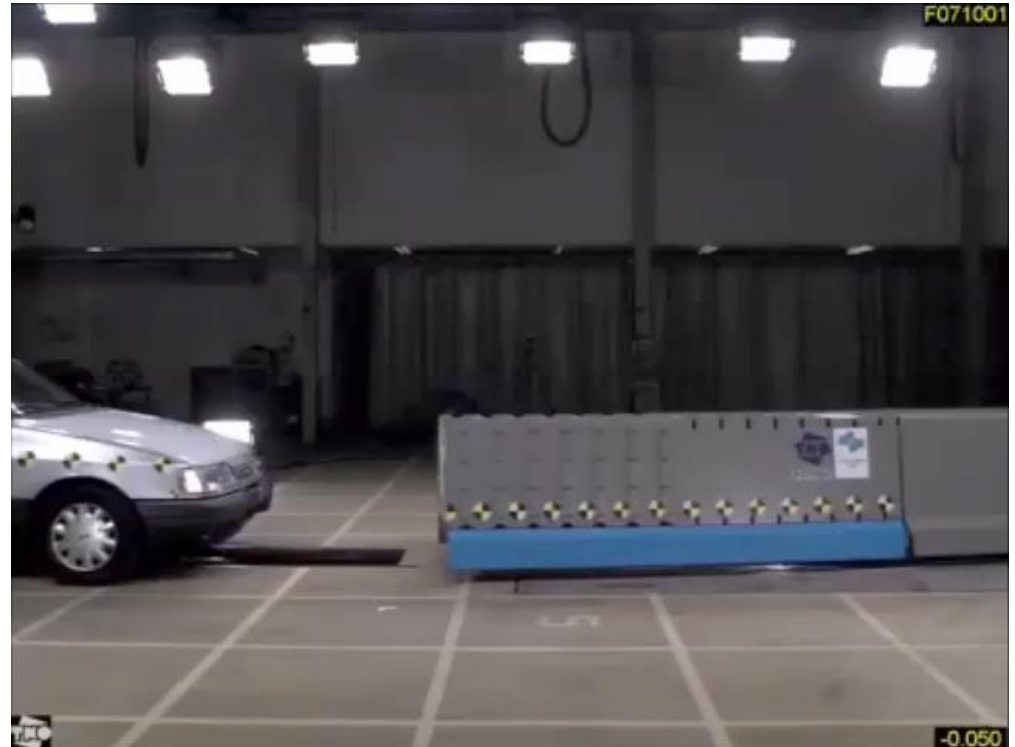
## VEVA



## MOVABLE BARRIER SYSTEMS

VEVA

## CRASH TEST BUFFER



## MOVABLE BARRIER SYSTEMS

## VEVA

### CRASH TEST EN-1317

### TB11





## MOVABLE BARRIER SYSTEMS

## VEVA

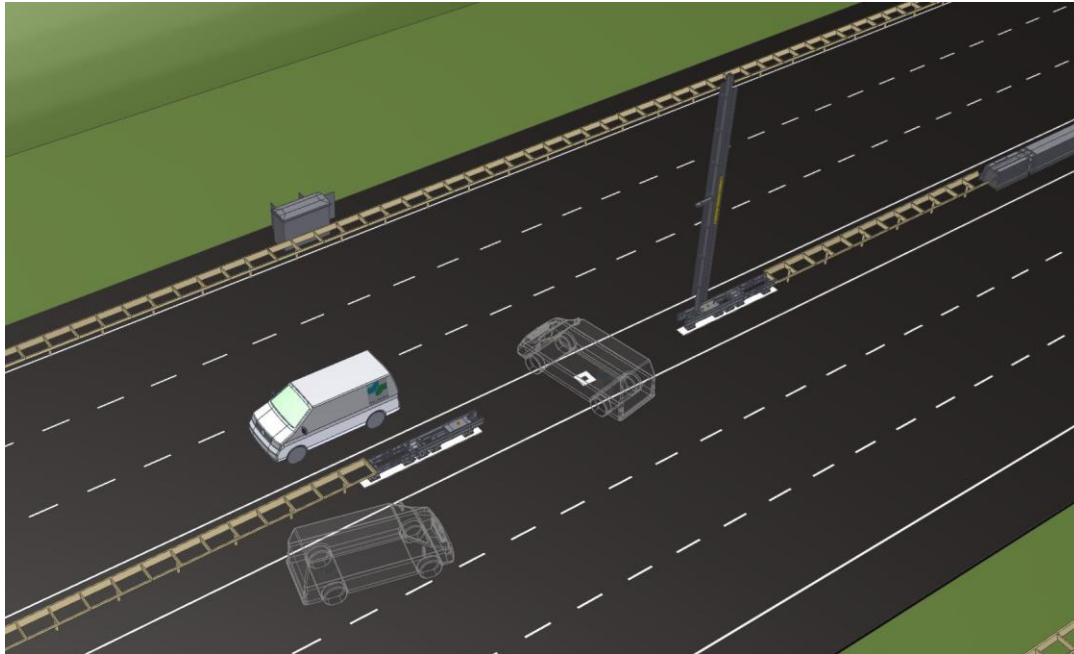
## CRASH TEST EN-1317

## TB51



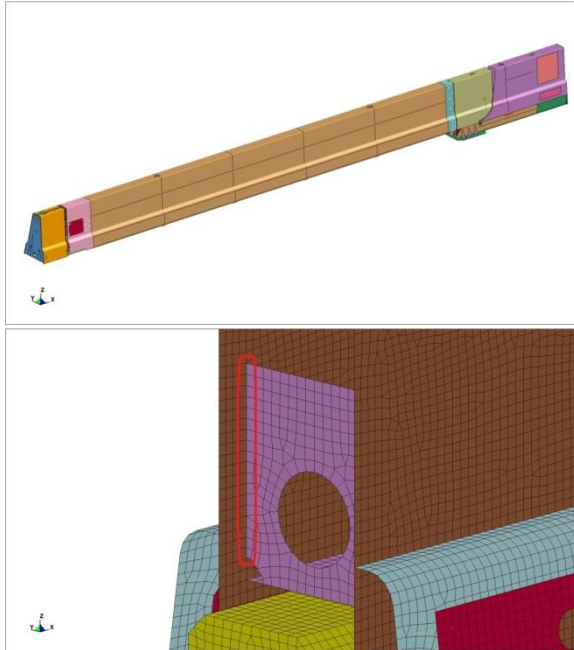
# MOVABLE BARRIER SYSTEMS

CADO



# MOVABLE BARRIER SYSTEMS

## CADO

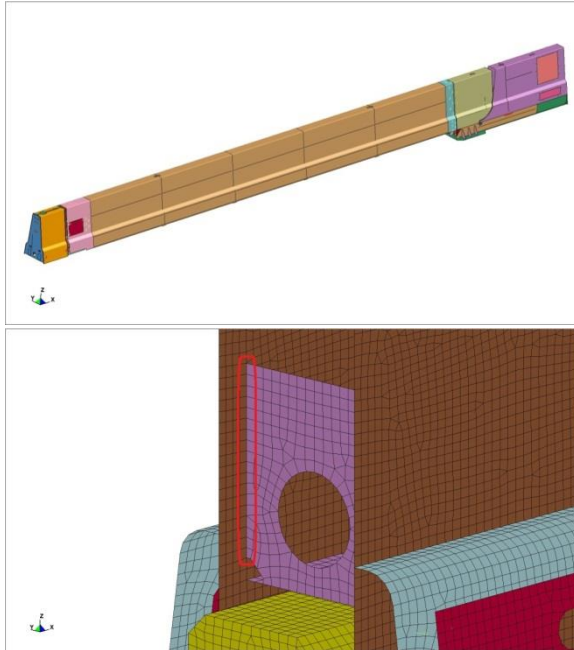


EN1317-2 (TB11)

Initial FEM Model Simulation

# MOVABLE BARRIER SYSTEMS

## CADO



EN1317-2 (TB51)

Initial FEM Model Simulation

# MOVABLE BARRIER SYSTEMS

CADO

IN 30 SECONDS

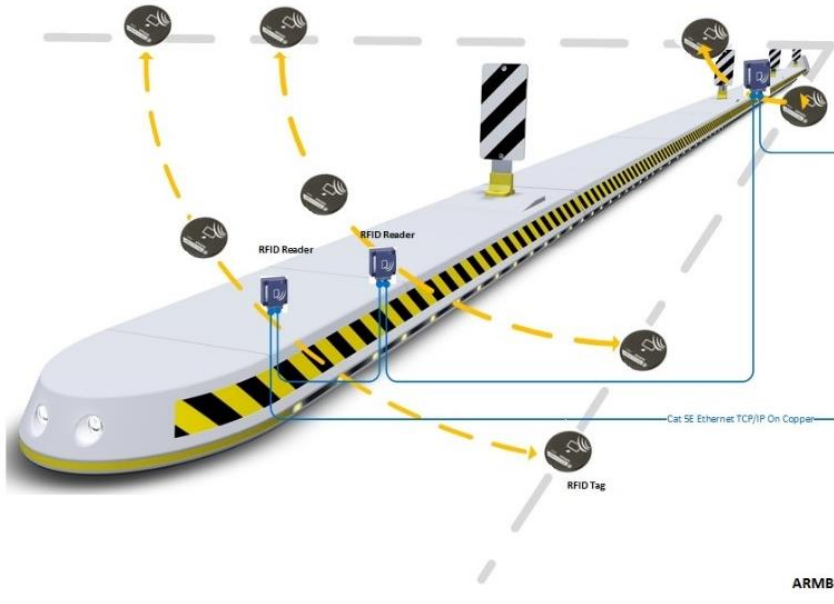
9 METER WIDTH





# MOVABLE BARRIER SYSTEMS

## ARMB



# MOVABLE BARRIER SYSTEMS

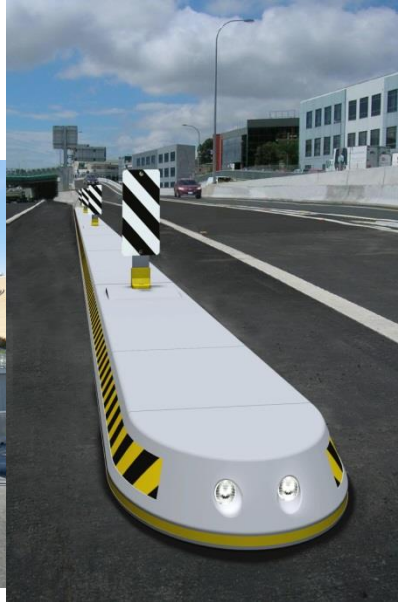
## ARMB



# MOVABLE BARRIER SYSTEMS

## Track record: (till March 2018)

- Over 90 pcs CADO
- Over 40 pcs ARMB
- Over 70 pcs VEVA
- Since 1980



Thank you for your attention!



Local represented by:



Jupiter Holding PLC